

TECHNICAL SCHEDULE



Glass Design

Code: CLIVIA

Article: *Clivia*

Category: *Countertop washbasin*

Material: *Cristallo DE' MEDICI*

Overflow: *No*

Washbasin weight: *kg ±6,70*



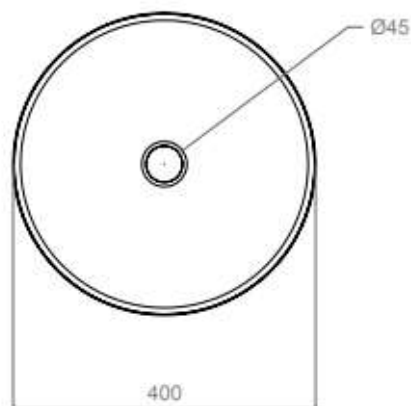
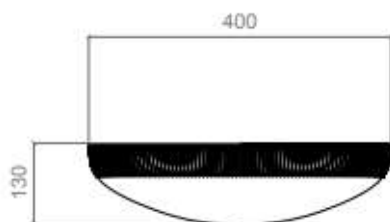
Clear
CLIVIAT01



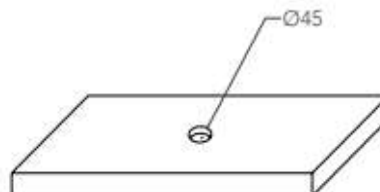
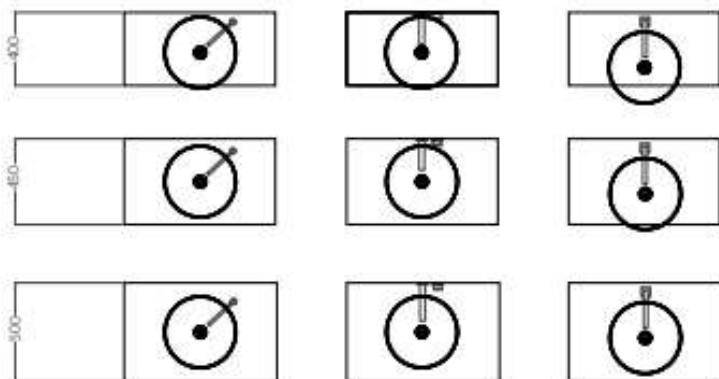
BLACK
CLIVIAT35



Countertop washbasin fashioned from crystal 24% lead content, hand-bevelled.



TAP AND SINK POSITIONING



Inspirational + European + Bathroomware

t 09 444 5656

e info@metrix.co.nz

www.metrix.co.nz